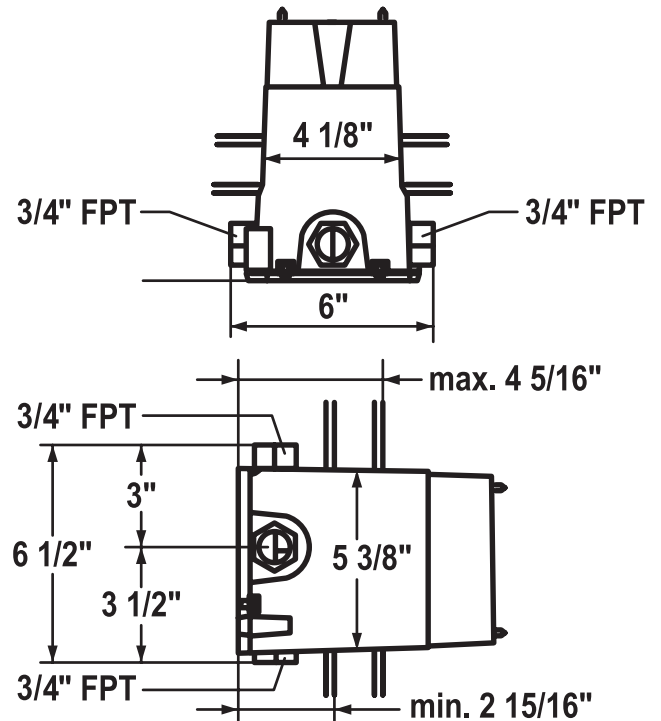


# KWC Rough Valves



KWC-No.

Finish

**K.38.90.90.931.35**

concealed unit

## Bath

### 3/4" Thermostatic Rough Valve

Thermostatic mixer

- without diverter
- without volume control
- requires separate volume control valve

Integrated shut-off valves, cold and hot water

HotControl

- temperature handle with safety stop button at

100°F

Intrinsically safe against backflow

Connecting thread 3/4" FPT (plug 3/4" included in delivery)

To be ordered separately (optional or if necessary):

- extension set 35 mm Z.534.779

Flow rate max. 19.0 gpm (60psi)