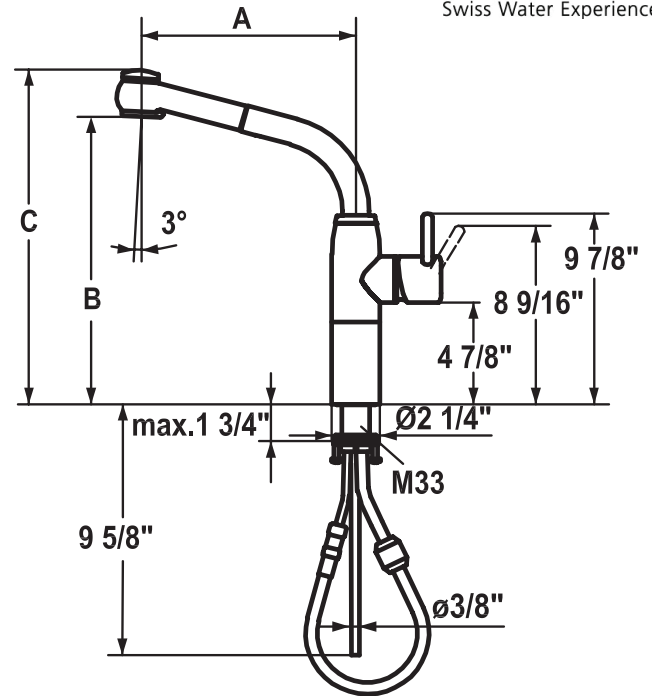


# KWC SYSTEMA

**KWC**

Swiss Water Experience



KWC-No.	Finish
<b>10.501.164.727</b>	solid splendure™ stainless steel
A) 10 ¼" spout length	
B) 13 13/16" aerator height	
C) 16 1/16" faucet height	
<b>10.501.164.736</b>	solid stainless steel / matte black
A) 10 ¼" spout length	
B) 13 13/16" aerator height	
C) 16 1/16" faucet height	
<b>10.501.163.727</b>	solid splendure™ stainless steel
A) 8 7/16" spout length	
B) 13 3/8" aerator height	
C) 15 9/16" faucet height	
<b>10.501.163.736</b>	solid stainless steel / matte black
A) 8 7/16" spout length	
B) 13 3/8" aerator height	
C) 15 9/16" faucet height	

## Kitchen

### Pull-Out Faucet with jetclean™

Single-lever mixer

- extended height 3 15/16"
- lever installation right side only

Pull-out spray with KWC jetclean™

- pull-out length up to 27 9/16"
- lockable regular spray
- automatic diverter reset
- hose surface to fit faucet surface
- hose guide secures hose back in place
- swivel range 140°

KWC L 39 control cartridge

- ceramic discs
- variable flow rate and temperature
- temperature and flow rate limitation

Copper tubes ø10mm

M33 x 1.5 threaded sleeve fastening

Mounting hole size ø1 3/8"

Flow rate max 1.75 gpm (60 psi)

Flow rate needle spray max 1.75 gpm (60 psi)

Catalog page 42